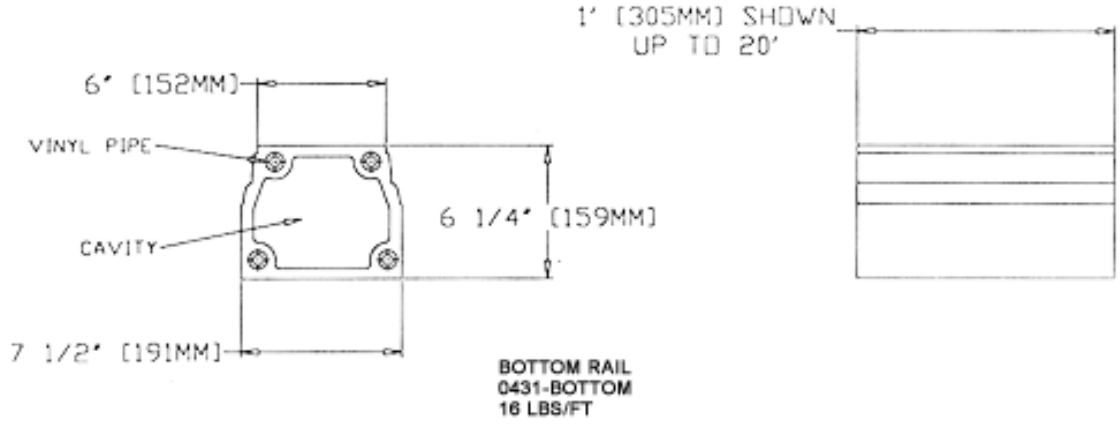
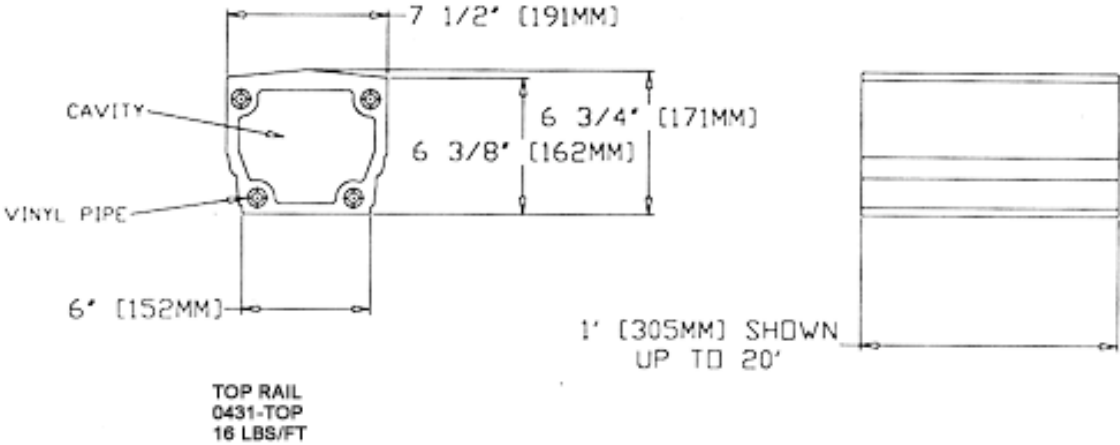


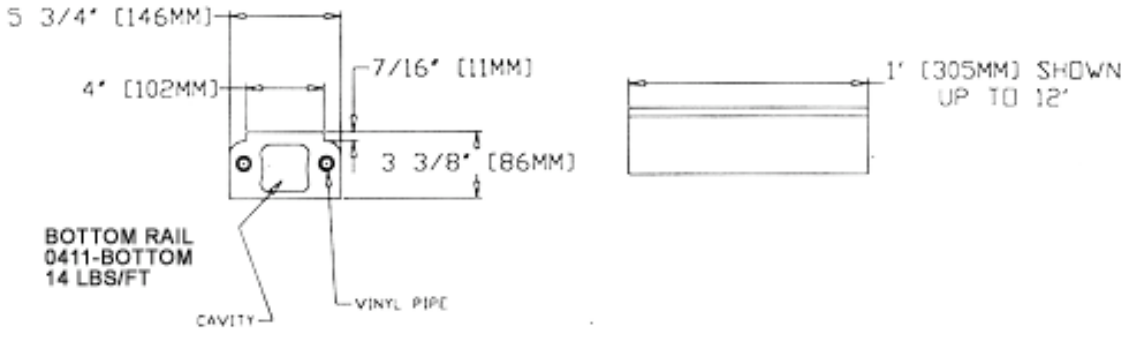
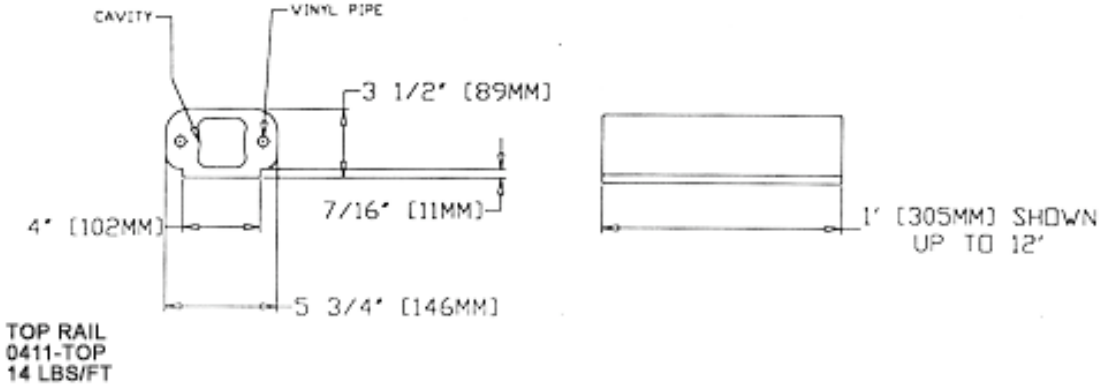
**ROYAL CORINTHIAN
RAILING AUTO CAD DRAWINGS**

603 FENTON LANE
WEST CHICAGO, IL 60185
1-888-265-8661

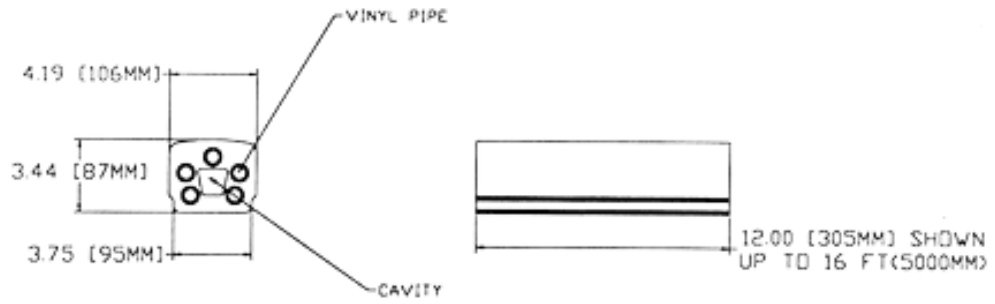
0431 RAILING



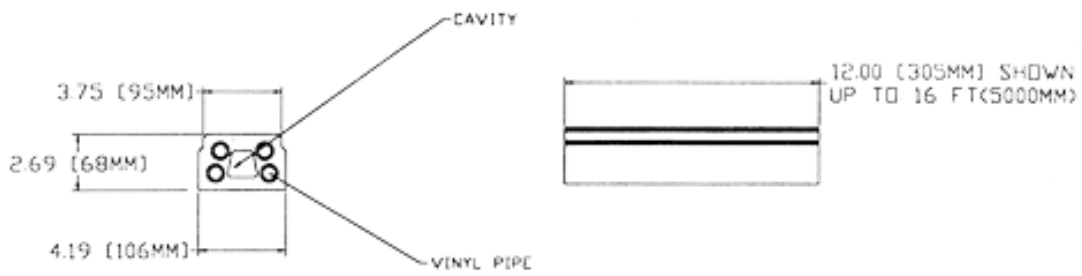
0411 RAILING



0421



TOP RAIL
0421-TOP
13 LBS/FT



BOTTOM RAIL
0421-BOTTOM
13 LBS/FT